

APEM

www.apem.com

**RUGGED LED INDICATORS FOR EFFECTIVE OPERATION
AND USER SAFETY UNDER POOR LIGHTING CONDITIONS.**

QRM / QRM NV NVIS LED INDICATORS

Military missions in low-light and no-light conditions can be dangerous for operators and the ability to see in blind environments provides enhanced situational awareness. Therefore, night vision such as our QRM series in military equipment for reconnaissance and surveillance is crucial to mission success.

MAIN APPLICATIONS

- Military vehicles
- Military communication equipment
- Avionics and night vision applications



QRM / QRM NV SERIES - REAR MOUNT LED INDICATORS

QRM LED indicators and their QRM-NV version have been designed to meet the critical needs of night operations. With night vision (NVG and NVIS compliant), it provides clear, reliable visibility in low light conditions, ensuring optimum situational awareness even in total darkness.

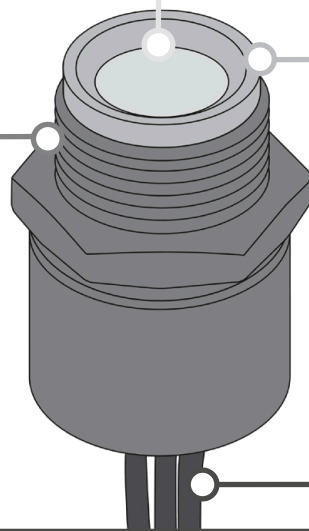
CERTIFICATIONS & APPROVALS

- MIL Std 3009

24 variants of color available, including fixed light, bi-color, tri-color and 6 NVIS variants



Different dimensions: 14mm, 8mm, 6mm



Types of illumination

Standard



Night vision



Flying leads or PCB pins, both epoxy sealed



TECHNICAL FEATURES

- Operating Temperature Range: -40 °C to +85 °C (-40 °F to +185 °F)
- Storage Temperature Range: -55 °C to +100 °C (-67 °F to +212 °F)
- Insulation resistance : 4,000 MΩ at 500 VDC
- Salt spray test: 96 hours (IEC 68-2-11)
- 8 different voltage options available
- Fully epoxy sealed rear
- 100,000 hours lifecycle

BENEFITS

- Sealing rating allows use even in challenging environments
- Available in black chrome finish for integration into military dashboards
- Available with standard and night vision

PRODUCTS

Products that could be suitable for defense applications



Please reach your regular APEM sales contact or visit apem.com



www.apem.com